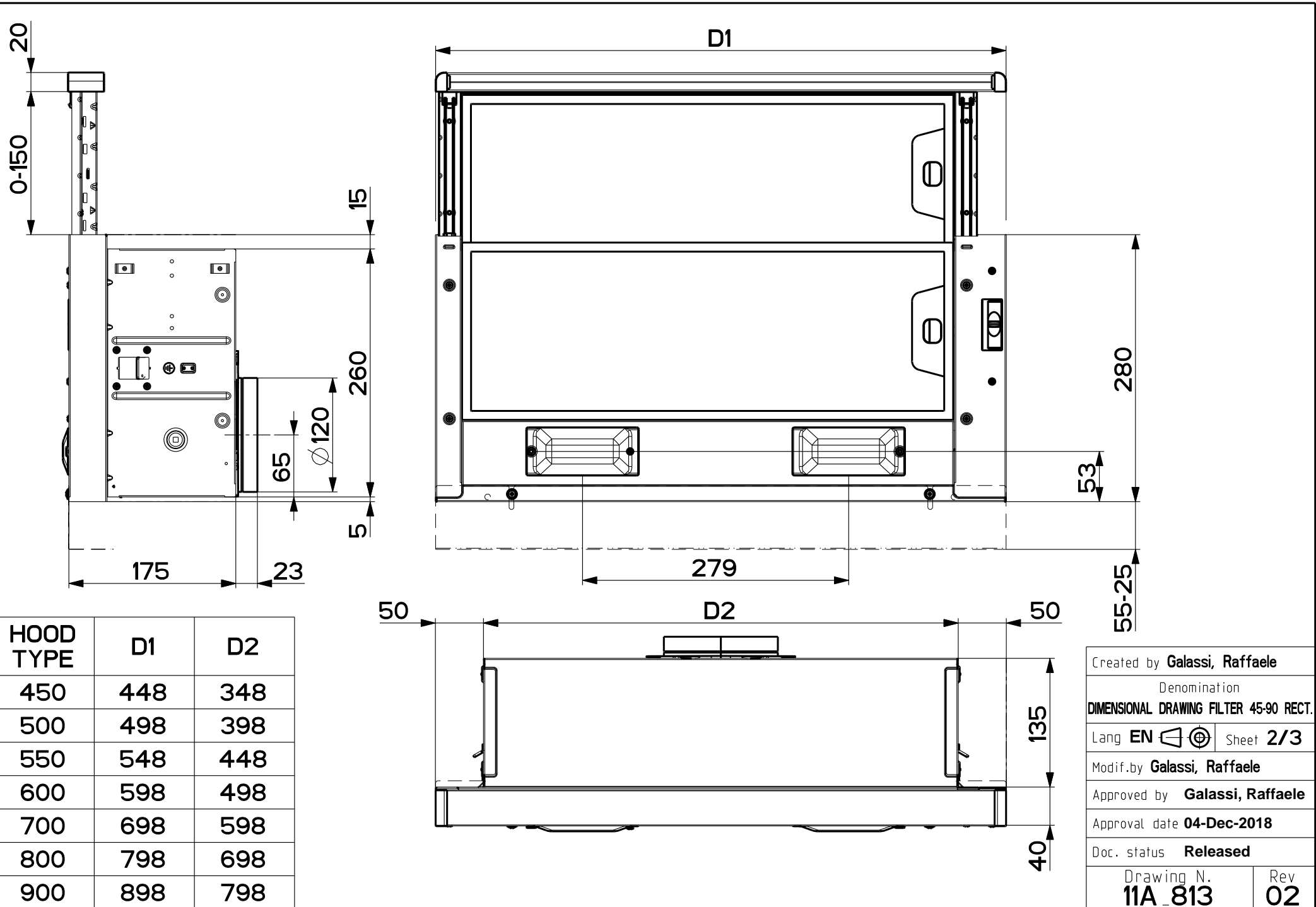


HOOD TYPE	D1	D2
450	448	348
500	498	398
550	548	448
600	598	498
700	698	598
800	798	698
900	898	798

Created by Galassi, Raffaele	
Denomination DIMENSIONAL DRAWING FILTER 45-90 RECT.	
Lang EN	Sheet 1/3
Modif. by Galassi, Raffaele	
Approved by Galassi, Raffaele	
Approval date 04-Dec-2018	
Doc. status Released	
Drawing N. 11A_813	Rev 02



HOOD TYPE	D1	D2
450	448	348
500	498	398
550	548	448
600	598	498
700	698	598
800	798	698
900	898	798

Created by **Galassi, Raffaele**

Denomination
DIMENSIONAL DRAWING FILTER 45-90 RECT.

Lang **EN** Sheet **2/3**

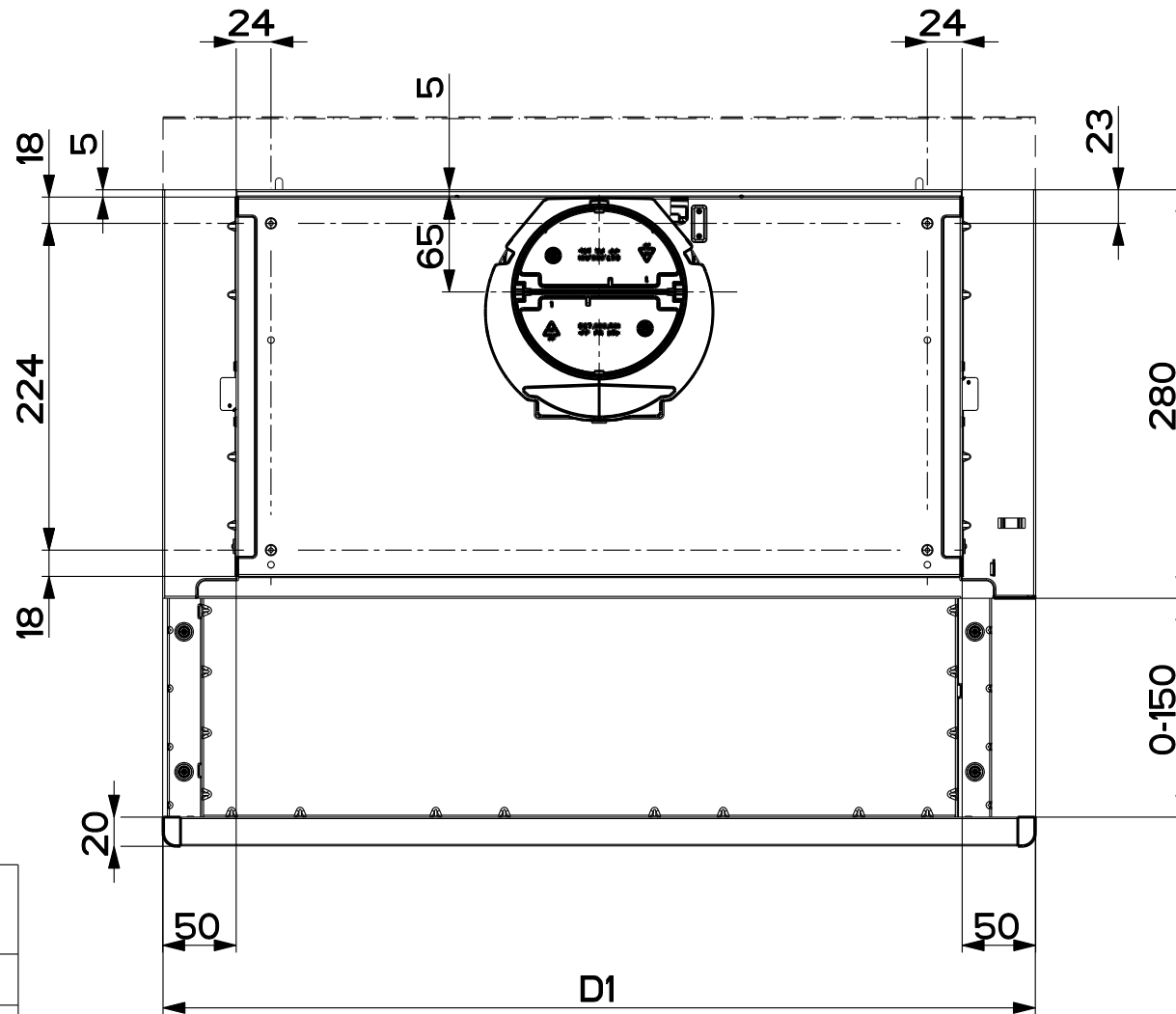
Modif.by **Galassi, Raffaele**

Approved by **Galassi, Raffaele**


Approval date **04-Dec-2018**

Doc. status **Released**

Drawing N. 11A_813	Rev 02
------------------------------	------------------



HOOD TYPE	D1	D2
450	448	348
500	498	398
550	548	448
600	598	498
700	698	598
800	798	698
900	898	798

Created by Galassi, Raffaele	
Denomination DIMENSIONAL DRAWING FILTER 45-90 RECT.	
Lang EN 	Sheet 3/3
Modif.by Galassi, Raffaele	
Approved by Galassi, Raffaele	
Approval date 04-Dec-2018	
Doc. status Released	
Drawing N. 11A_813	Rev 02